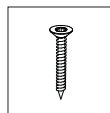


90 x 180 cm

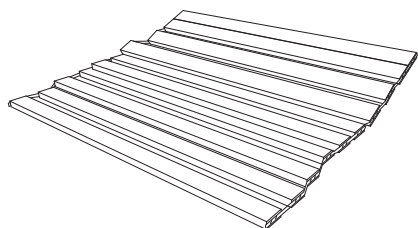
Art.-Nr. 0900.489



44x (A) 4x45

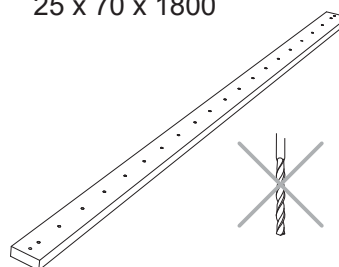
①

2x
900 x 900

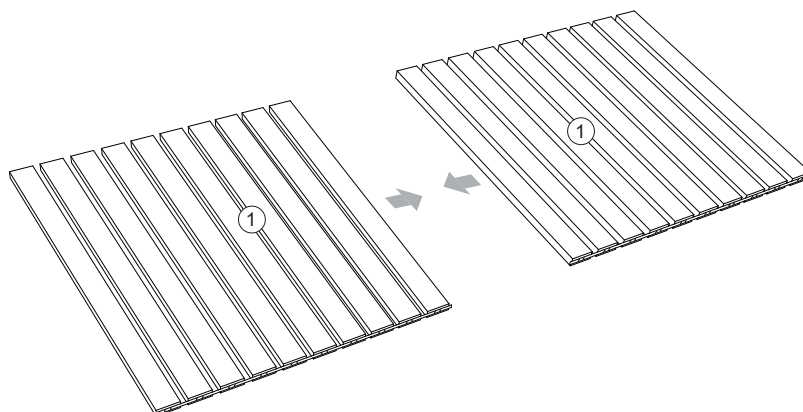


②

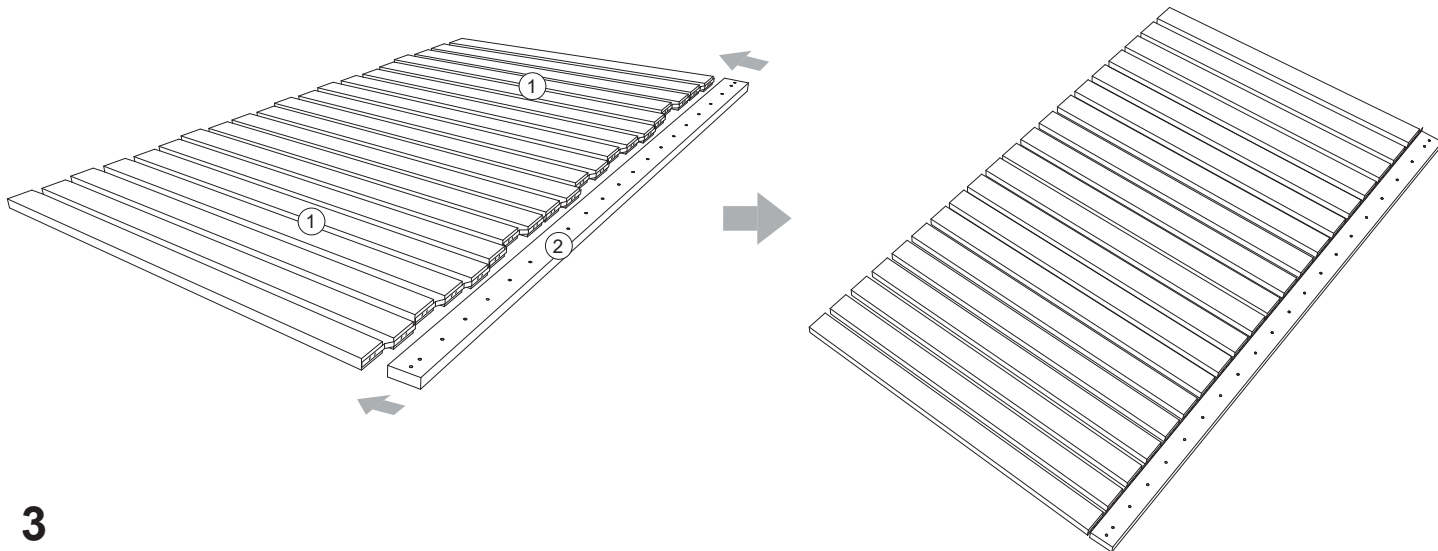
2x
25 x 70 x 1800



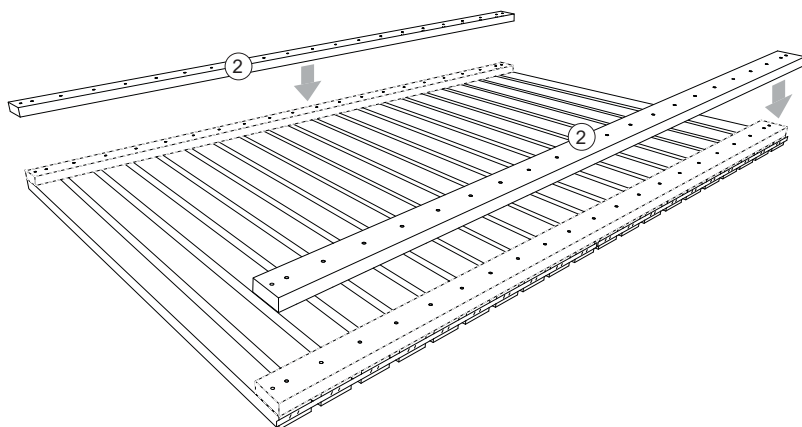
1



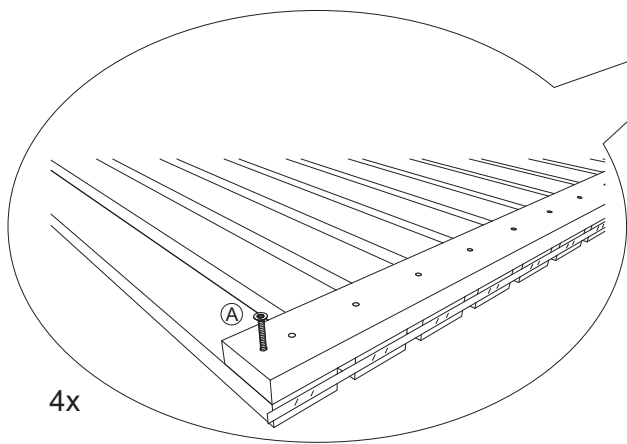
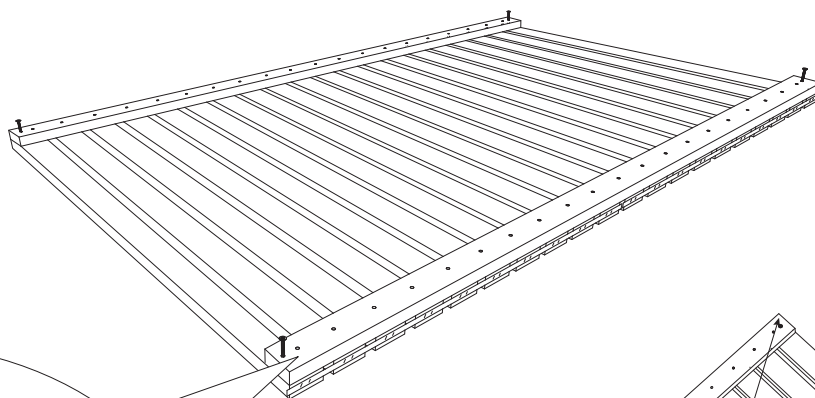
2



3

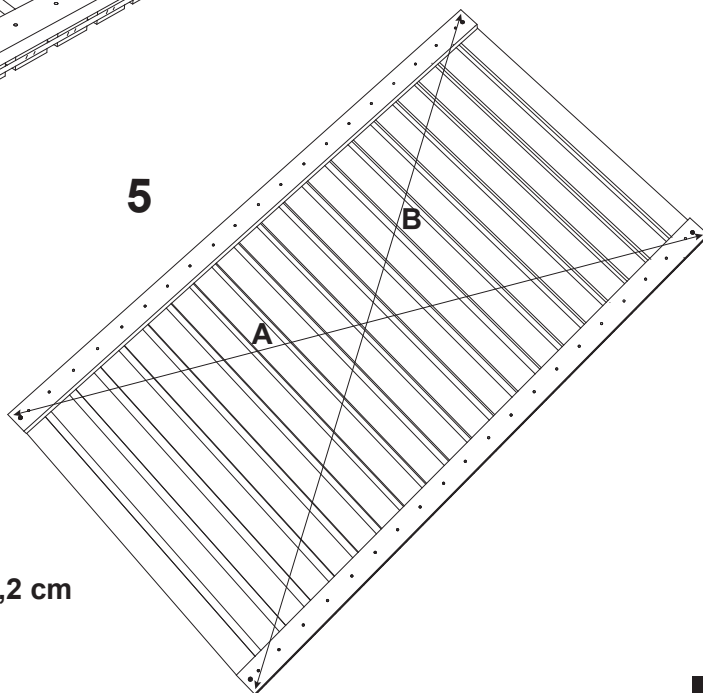


4



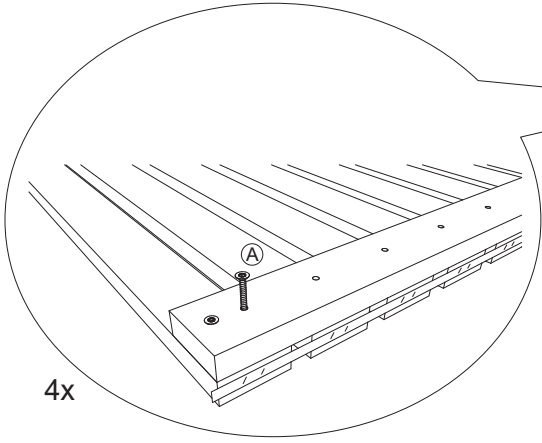
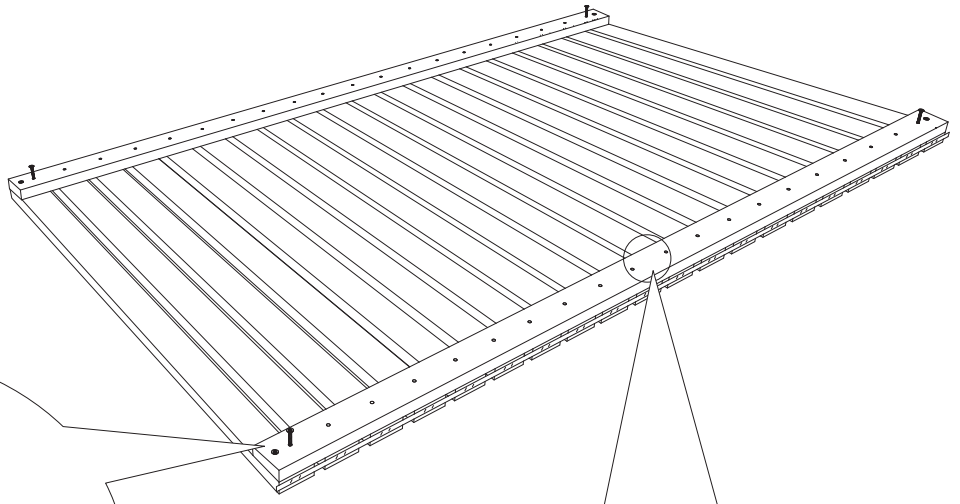
4x

5



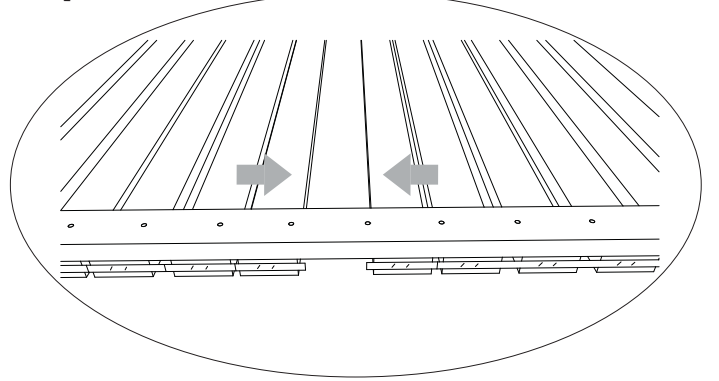
A = B = 201,2 cm

6

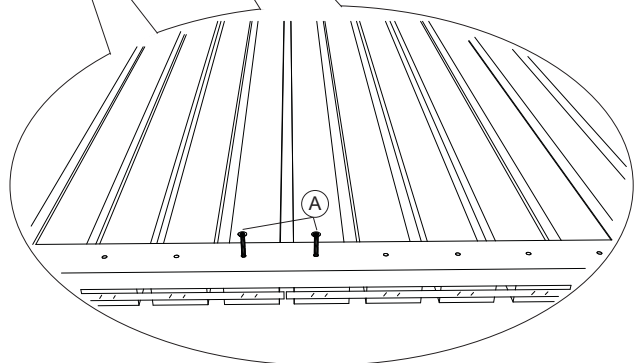
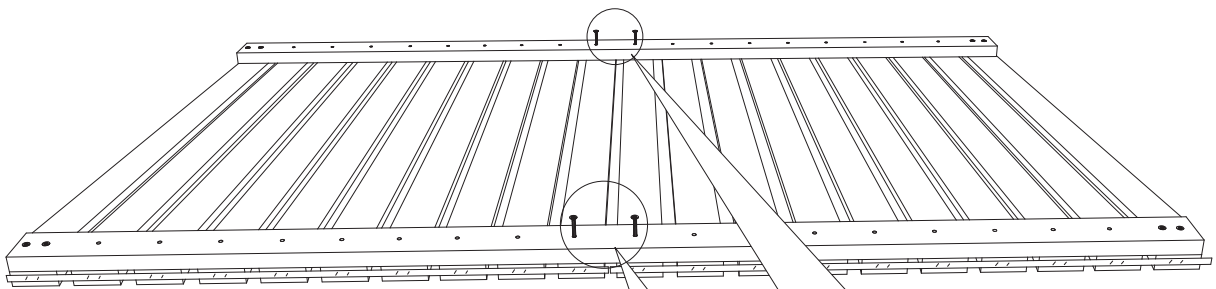


4x

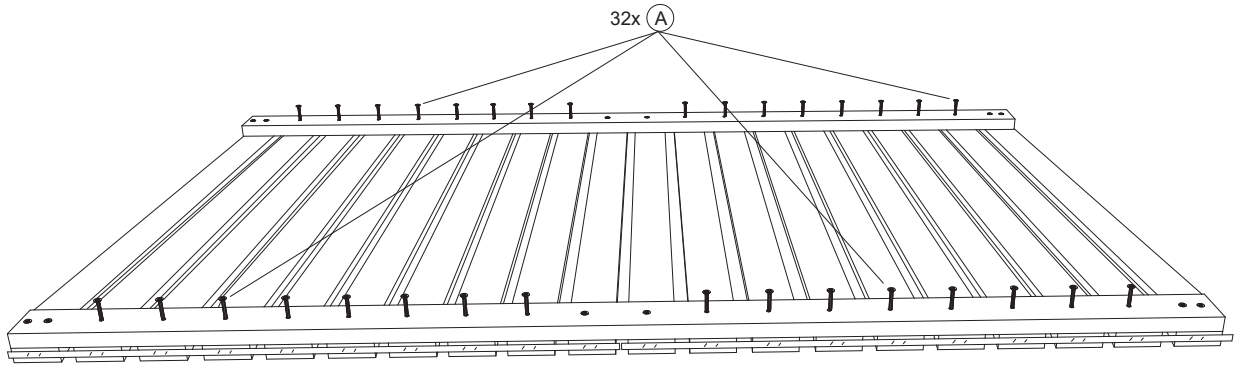
7



8



9



10

